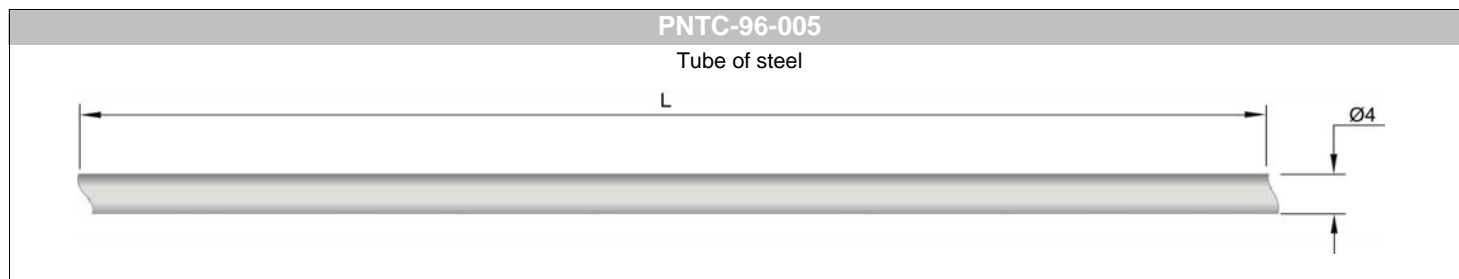
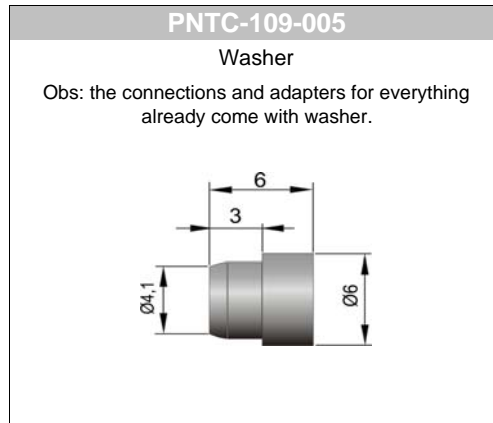
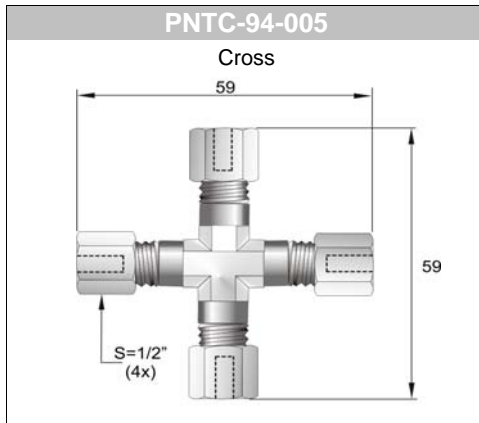
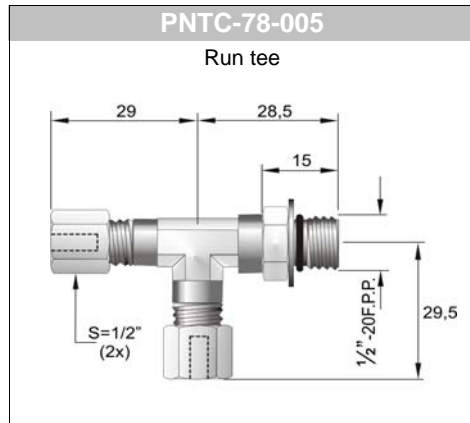
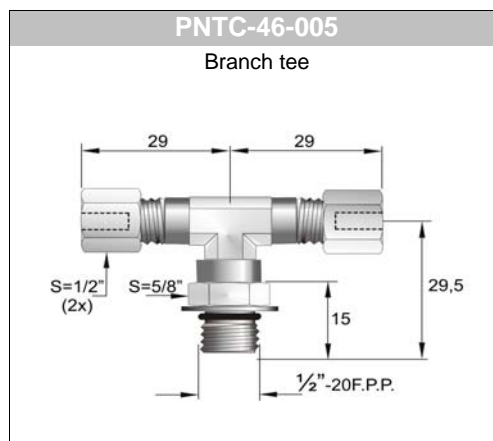
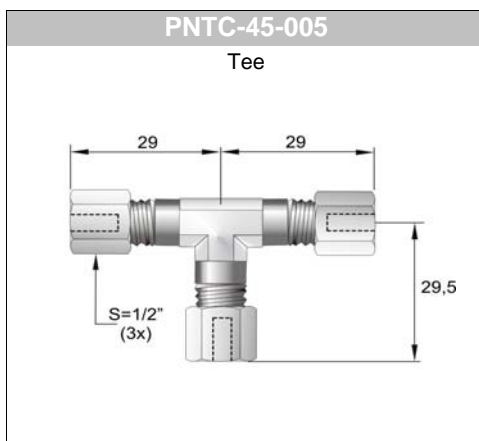
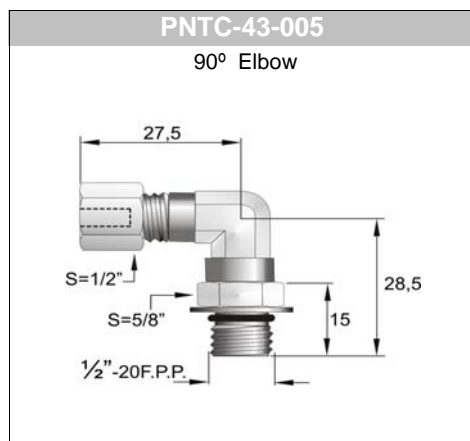
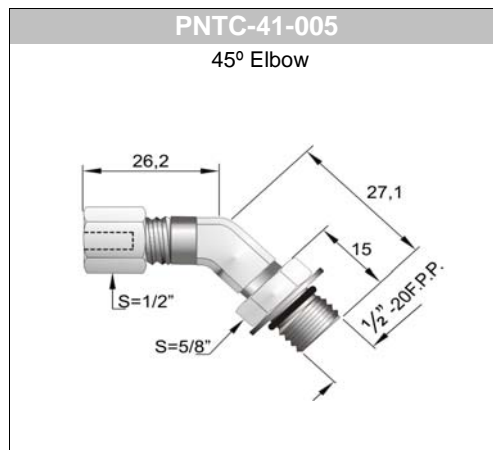
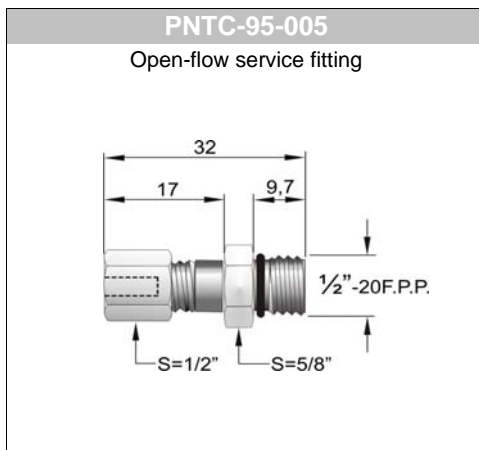
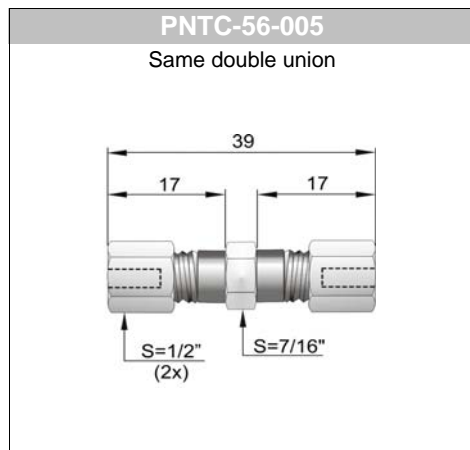


Connections, adapters and plugs for interconnection with tube



The PRODTY is holder of Brazilian and international patents, that collect characteristics of their drawings.