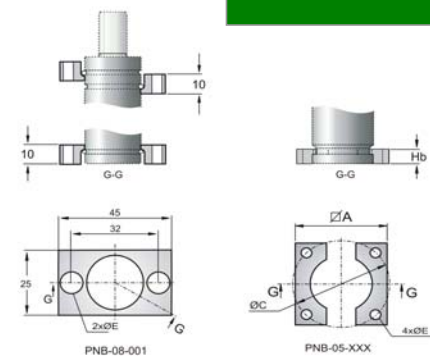


Type **PNCQ** - tonnage **X,X** - stroke **XXX** / serie **XX X**  
 Repair kit **RNCQ** - tonnage **X,X** / serie **XX**

**PNCQ-0,2**  
 Compact self contained.  
 Gas Springs recharged ( no disposable).



models		PNCQ-0,1-	PNCQ-0,2-	PNCQ-0,2/E2	PNCQ-0,2/E3	PNCQ-0,2/E4	PNCQ-0,2/E5	PNCQ-0,2/E6	PNCQ-0,2/E7	
(L = k + 2 x Stroke)	constant k=>	42	42	45	42	50	42	50	45	
	height=>	L	L	L	L	L	L	L	L	
	Stroke	-007	56	56	59	56	64	56	64	
		-010	62	62	65	62	70	62	70	
		-015	72	72	75	72	80	72	80	
		-020	82	82	85	82	90	82	90	
		-025	92	92	95	92	100	92	100	
		-032	106	106	109	106	114	106	114	
		-038	118	118	121	118	126	118	126	
		-050	142	142	145	142	150	142	150	
		-063	168	168	171		176	168	176	171
		-080	202	202	205		210	202	210	205
	-100	242	242	245		250	242	250	245	
-125		292	295		300	292	300	295		
refer.	PNCQ-0,1-	PNCQ-0,2-	PNCQ-0,2/E2	PNCQ-0,2/E3	PNCQ-0,2/E4	PNCQ-0,2/E5	PNCQ-0,2/E6	PNCQ-0,2/E7		
cil.:	Initial force in daN at 130bar	F.in. 64				161				
	Initial force in daN at 150 bar	F.in.				initial maximum pressure : 130 bar				
	area (cm²)	area 0,50				1,27				
	diameter of the rod	Ød 8				12,7				
	diameter of the body	ØD 19		25		38	25	32	25	
	L1	1				3,5				
	L2	17	not available	not available	13,5	not available	not available	not available	13,5	
	L3	6		4,5		not available	not available	not available	4,5	
	L6	6	not available	not available	8	9	6	9	8	
	R					1				
cil. Base:	valve	Ve				bottom port G 1/8" thread				
	linked default	Ø lpd				bottom port G 1/8" thread, no valve				
	linked option "V"	Ø lop				not available				
	holes	M				not available				
	diameter drilling	ØD2				not available				
flanges:	round flange superior	-04-				PNB-04-003		PNB-04-002/E1		
	split flange inferior	-05-				PNB-05-003		PNB-05-002		
	single flange superior	-25-	PNB-25-001							
	round flange superior / inferior	-08-	PNB-08-001							
	round flange superior / inferior	-16-			PNB-16-002			PNB-16-002	PNB-16-002	
	single flange superior / inferior	-22-			PNB-22-002			PNB-22-002	PNB-22-002	
	round external diameter	ØA			50		68	50	60	50
	split external dimension	Ø A					55		50	
	diameter drilling	ØC			38,5		56,5	38,5	49,5	38,5
	diameter of the holes	ØE					7			
	height	H	7			9				
	split height	Hb	10			7		7		
	part inferior to the top of the stem	L11	10,5		16	17	14	17	16	

The PRODTY is holder of Brazilian and international patents, that collect characteristics of their drawings.