

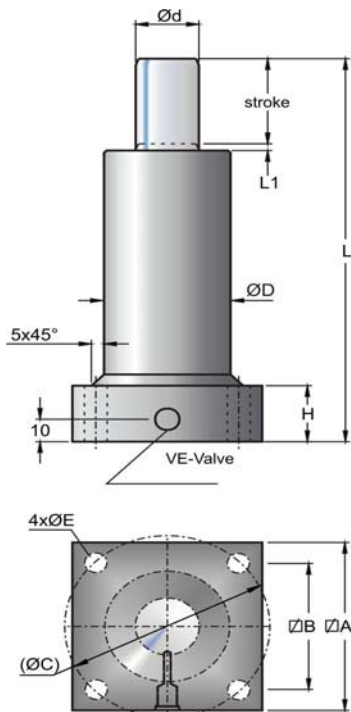
Linked option

Type **PNFF** - tonnage **X,X** - stroke **XXX** / serie **XX X**

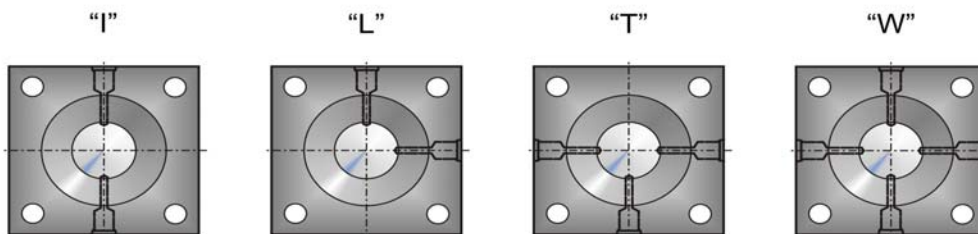
RNFF - **X,X** / **XX**

Repair Kit

PNFH with integrated square base, easy to handle and cheaper than PNFH + base



Linked option



		models	PNFF-0,5-	PNFF-0,8-	PNFF-1,5-	PNFF-3,0-	PNFF-5,0-	PNFF-7,5-	PNFF-10,0-	
(L = k + 2 x Stroke)	constant k=>		85	95	110	120	140	155	160	
	height=>		L	L	L	L	L	L	L	
	stroke	-007								
		-010		105	115	130				
		-015		115	125	140	150	170	185	
		-020		125	135	150	160	180	195	200
		-025		135	145	160	170	190	205	210
		-032		149	159	174	184	204	219	224
		-038		161	171	186	196	216	231	236
		-050		185	195	210	220	240	255	260
		-063		211	221	236	246	266	281	286
		-080		245	255	270	280	300	315	320
	-100		285	295	310	320	340	355	360	
	-125		335	345	360	370	390	405	410	
	-160				430	440	460	475	480	
-200					520	540	555	560		
-250						640	655	660		
	refer.		PNFF-0,5-	PNFF-0,8-	PNFF-1,5-	PNFF-3,0-	PNFF-5,0-	PNFF-7,5-	PNFF-10,0-	
cil.:	Initial force in daN at 130bar	F.in.	400	625	1.297	2.502	4.228	6.404	9.214	
	Initial force in daN at 150 bar	F.in.	462	722	1.496	2.886	4.878	7.389	10.632	
	area (cm ²)	área	3,14	4,91	10,18	19,63	33,18	50,27	70,88	
	diameter of the rod	Ød	20	25	36	50	65	80	95	
	diameter of the body	ØD	45,2	50,2	75,2	95,2	120,2	150,2	195,2	
		L1	2	3						
cil. Base:	valve	Ve	lateral port G1/8" thread							
	linked default	lpd	lateral port G1/8" thread, no valve							
	linked option I, L, T, W	lop	lateral I,L,T and W thread G 1/8"							
	square base	Ø A	70	75	100	120	140	190	210	
	position of the holes	Ø B	50	56,5	73,5	92	109,5	138	170	
	diameter drilling	Ø C	70,7	80	104	130	155	195	240	
	diameter of the holes	Ø E	9		11	13		18		
	height	H	25			35				

The PRODTY is holder of Brazilian and international patents, that collect characteristics of their drawings.