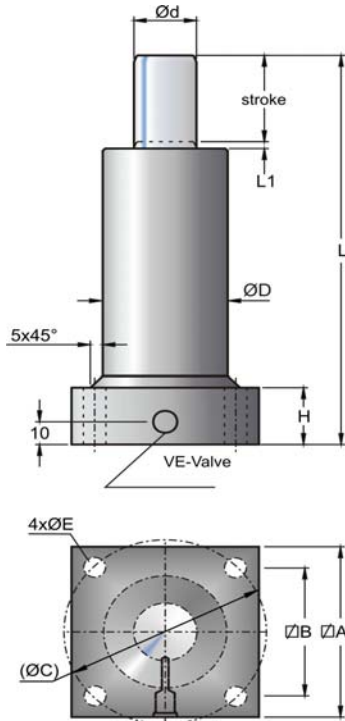


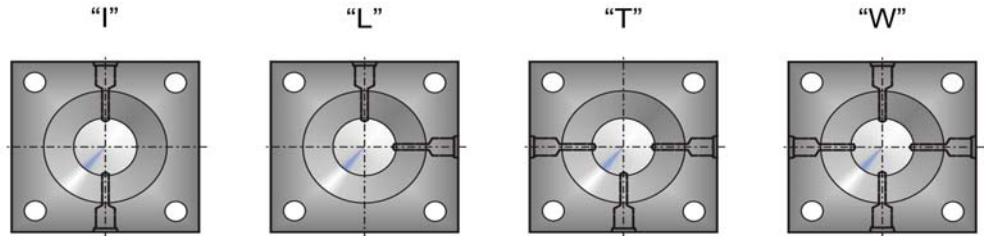
Type      tonnage      stroke      serie      Linked option  
**PNGF** - **X,X** - **XXX** / **XX X**  
**RNGF** - **X,X** / **XX**

Repair Kit

**PNGH semi compact self contained with square base, easy to handle and cheaper than PNGH + base.**



Linked option



		models	PNGF-0,8-	PNGF-1,5-	PNGF-3,0-	PNGF-5,0-		
(L = k + 2 x Stroke)	constant k=>		70	102	102	102		
	height=>		L	L	L	L		
	Stroke	-007						
		-010		90	122			
		-015		100	132	132	132	
		-020		110	142	142	142	
		-025		120	152	152	152	
		-032		134	166	166	166	
		-038		146	178	178	178	
		PNGF-x,x-	-050		170	202	202	202
		-063		196	228	228	228	
		-080		230	262	262	262	
	-100		270	302	302	302		
	-125		320	352	352	352		
	-160			422	422	422		
-200				502	502			
-250					602			
	refer.		PNGF-0,8-	PNGF-1,5-	PNGF-3,0-	PNGF-5,0-		
cil.:	Initial force in daN at 130bar	F.in.	625	1.226	2.502	4.228		
	Initial force in daN at 150 bar	F.in.	722	1.414	2.886	4.878		
	area (cm <sup>2</sup> )	área	4,91	9,62	19,63	33,18		
	diameter of the rod	Ød	25	35	50	65		
	diameter of the body	ØD	50	75	95	120		
	L1		3					
cil. Base:	valve	Ve	lateral port 1/2" thread					
	linked default	lpd	lateral port 1/2" thread, no valve					
	linked option I, L, T, W	lop	lateral I,L,T and W thread 1/2"					
	square base	Ø A	75	100	120	140		
	position of the holes	Ø B	56,5	73,5	92	109,5		
	diameter drilling	ØC	80	104	130	155		
	diameter of the holes	ØE	9	11	13			
	height	H	19	35				

The PRODTY is holder of Brazilian and international patents, that collect characteristics of their drawings.