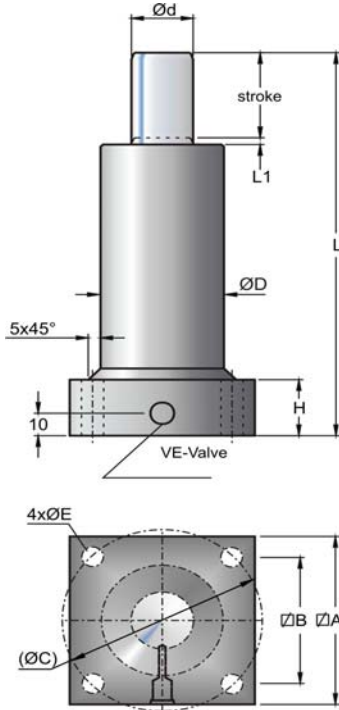


Type **PNLF** - tonnage **X,X** - stroke **XXX** / serie **XX** **X** Linked option

**RNLF** - **X,X** / **XX**

Repair Kit

**PNLF with integrated square base, easy to handle and cheaper than PNJH + base.**



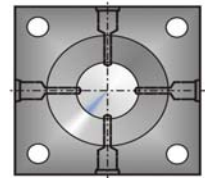
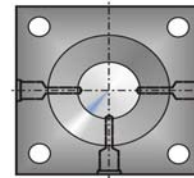
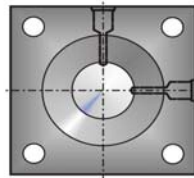
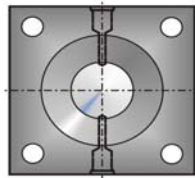
Linked option

"I"

"L"

"T"

"W"



		models	PNLF-0,5-	PNLF-0,8-	PNLF-1,5-	PNLF-3,0-	PNLF-5,0-		
cil. (L = k + 2 x Stroke)	constant k=>		85	95	110	120	140		
	height=>		L	L	L	L	L		
	Stroke	-007							
		-010		105	115				
		-015		115	125	140	150	170	
		-020		125	135	150	160	180	
		-025		135	145	160	170	190	
		-032		149	159	174	184	204	
		-038		161	171	186	196	216	
		PNLF-x,x-	-050		185	195	210	220	240
		-063		211	221	236	246	266	
		-080		245	255	270	280	300	
	-100		285	295	310	320	340		
	-125		335	345	360	370	390		
	-160			415	430	440	460		
-200				510	520	540			
-250					620	640			
	refer.		PNLF-0,5-	PNLF-0,8-	PNLF-1,5-	PNLF-3,0-	PNLF-5,0-		
cil.:	Initial force in daN at 130bar	F.in.	400	625	1.226	2.502	4.228		
	Initial force in daN at 150 bar	F.in.	462	722	1.414	2.886	4.878		
	area (cm <sup>2</sup> )	área	3,14	4,91	9,62	19,63	33,18		
	diameter of the rod	Ød	20	25	35	50	65		
	diameter of the body	ØD	50	75	95	120	150		
		L1	2			3			
cil. Base:	valve	Ve	lateral port 1/2" thread						
	linked default	lpd	lateral port 1/2" thread, no valve						
	linked option I, L, T, W	lop	lateral I,L,T and W thread 1/2"						
	square base	Ø A	75	100	120	140	190		
	position of the holes	Ø B	56,5	73,5	92	109,5	138		
	diameter drilling	ØC	80	104	130	155	195		
	diameter of the holes	ØE	9	11		13	18		
	height	H	25			35			

The PRODTY is holder of Brazilian and international patents, that collect characteristics of their drawings.