

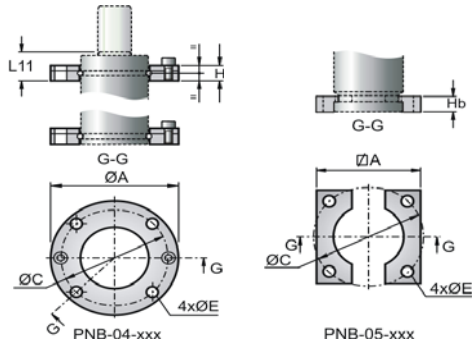
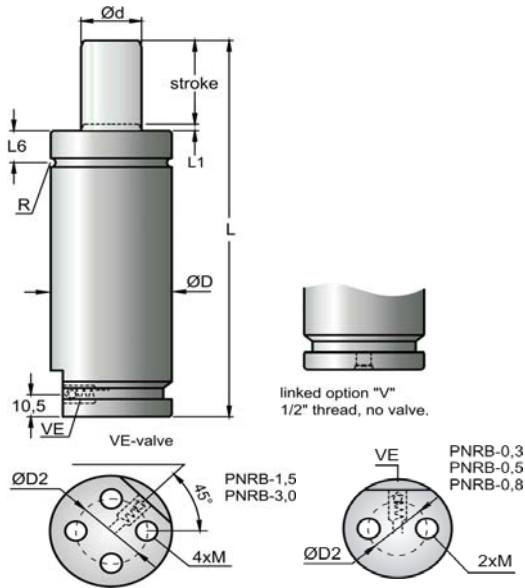
Linked option

Type **PNRB** - tonnage **X,X** - stroke **XXX** / serie **XX X**

RNRB - **X,X** / **XX**

Repair kit

Compact self contained.



		models	PNRB-0,3-	PNRB-0,5-	PNRB-0,8-	PNRB-1,5-	PNRB-3,0-	
(L = k + 2 x Stroke)	constant k=>		50	50	50	60	70	
	height=>		L	L	L	L	L	
	Stroke	-007						
		-010		70	70	70	80	
		-015		80	80	80	90	100
		-020		90	90	90	100	110
		-025		100	100	100	110	120
		-032		114	114	114	124	134
		-038		126	126	126	136	146
		PNRB-x,x-	-050	150	150	150	160	170
		-063	176	176	176	186	196	
		-080	210	210	210	220	230	
	-100	250	250	250	260	270		
	-125	300	300	300	310	320		
	-160							
-200								
-250								
	refer.	PNRB-0,3-	PNRB-0,5-	PNRB-0,8-	PNRB-1,5-	PNRB-3,0-		
cil.:	Initial force in daN at 130bar	F.in.	256	400	625	1.226	2.502	
	Initial force in daN at 150 bar	F.in.	296	462	722	1.414	2.886	
	area (cm ²)	área	2,01	3,14	4,91	9,62	19,63	
	diameter of the rod	Ød	16	20	25	35	50	
	diameter of the body	ØD	38	45	50	75	95	
		L1		1		3		
		L6	11,5		14,5	18	21	
		R		1	2		2,5	
cil. Base:	valve	Ve	bottom port G 1/8" thread					
	linked default	lpd	bottom port G 1/8" thread, no valve					
	linked option "V"	lop	not available					
	holes	M	2 x M6 x 8	2 x M8 x 10		4 x M8 x 10		
	diameter drilling	ØD2	20	20	20	40	60	
flanges:	round flange superior	-04-	PNB-04-003	PNB-04-005	PNB-04-008	PNB-04-015	PNB-04-030	
	single flange inferior	-05-	PNB-05-003	PNB-05-005	PNB-05-008	PNB-05-015	PNB-05-030	
	round external diameter	ØA	68	86	95	122	150	
	split external dimension	ØA	55	70	75	100	120	
	diameter drilling	ØC	56,6	70,7	80	104	130	
	diameter of the holes	ØE	7		9	11	13	
	height	H	9		13	16	18	
	split height	Hb		7		12		
	part inferior to the top of the stem	L11	17		22	29	33	

The PRODTY is holder of Brazilian and international patents, that collect characteristics of their drawings.