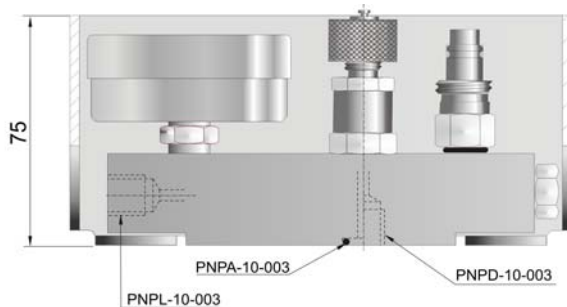


**Control Panel**

PNPL-10-003 / PNPA-10-003 / PNPD-10-003

**PNPV-02-002**

Exhaustion valve



**PNTC-88-005**

Coupling fast male

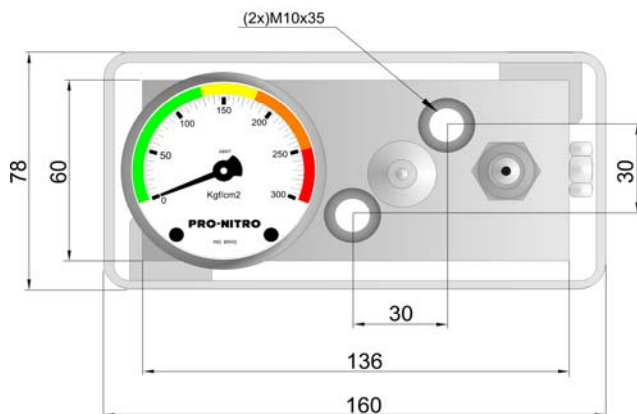


**EXIT**

PNPL - Lateral exit with thread 1/2" - 20 F.P.P.

PNPA - Back exit without exclusive thread for use in plates manifold.

PNPD - Back exit with thread 1/2" - 20 F.P.P.



**PNPV-03-260**

Valve of safety (260bar)



**PNPV-04-006**

Manometer ( 0 a 300 bar)

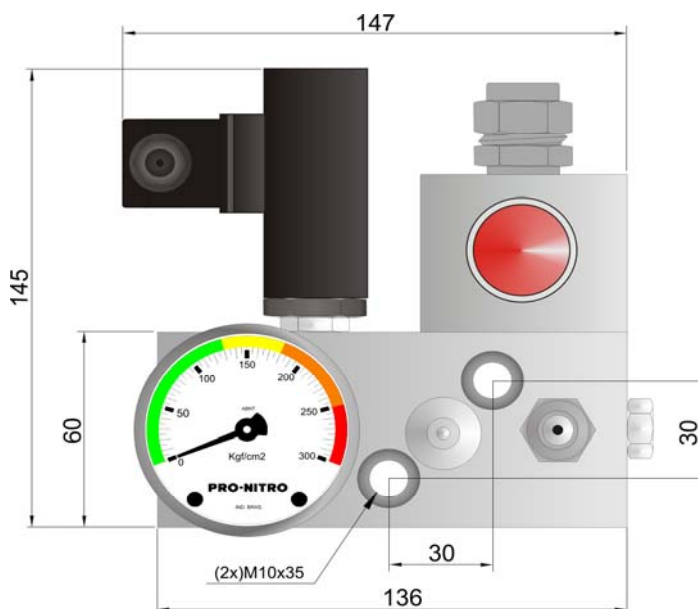


**Control Panel with Flag**

PNPL-10-009

**PNPV-02-002**

Exhaustion valve



**PNTC-88-005**

Coupling fast male



**PHH-0882300**

Manostat



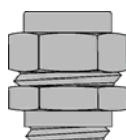
**PNPV-03-260**

Valve of safety (260bar)



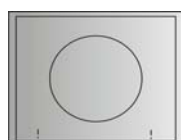
**0332-WS-20-15/01**

Press Cable



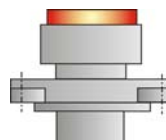
**DNP-0121 / DNP-0122**

Box and Cover of Flag



**0312-HS-23-024V-I20-01**

Flag



**PNPV-04-006**

Manometer ( 0 to 300 bar)

